

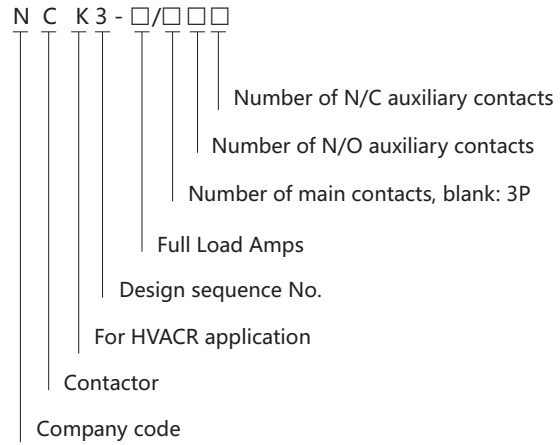


## NCK3 Definite Purpose Contactor, 20~90A

### 1. General

- 1.1 Certificates: UL;
- 1.2 Application: HVACR;
- 1.3 Utilization category: AC-1, AC-8a;
- 1.4 Rated insulation voltage: 630V;
- 1.5 Standard: UL508

### 2. Type designation



تهران - خیابان لاله زارنو - بالاتر از منوچهری - پاساژ البرز ۲ - طبقه اول - واحد ۲۳۵

۰۲۱-۶۶۳۴۱۰۹۰-۹۲

۰۹۳۹۶۲۹۲۰۰۱

[splus.ir/peoe\\_iran](https://splus.ir/peoe_iran)

[aparat.com/peoe\\_iran](https://aparat.com/peoe_iran)

[www.peoe.ir](http://www.peoe.ir)

[t.me/peoe\\_iran](https://t.me/peoe_iran)

[instagram.com/peoe\\_iran](https://instagram.com/peoe_iran)



★ NCK3, 3Pole

Model	NCK3-20-40							Voltage	Single-phase horsepower	Three-phase horsepower
	FLA			RES	LRA					
	240/277V	480V	600V		240/277V	480V	600V			
NCK3-20	25	25	25	35	150	125	100	120	2	/
								240/277	5	10
								480	/	15
								600	/	20
NCK3-25	25	25	25	35	150	125	100	120	2	/
								240/277	5	10
								480	/	15
								600	/	20
NCK3-30	32	32	32	40	200	150	120	120	2	/
								240/277	5	10
								480	/	15
								600	/	20
NCK3-32	32	32	32	40	200	150	120	120	2	/
								240/277	5	10
								480	/	15
								600	/	20
NCK3-40	40	40	40	50	240	200	160	120	3	/
								240/277	7.5	10
								480	/	20
								600	/	25

Model	NCK3-50-60							Voltage	Single-phase horsepower HP	Three-phase horsepower HP
	FLA			RES	LRA					
	240/277V	480V	600V		240/277V	480V	600V			
NCK3-50	50	50	50	65	300	250	200	110/120	3	/
								200/208	7.5	15
								240/277	10	15
								480	/	25
								600	/	25
NCK3-60	60	60	60	75	360	300	240	110/120	5	/
								200/208	7.5	25
								240/277	10	25
								480	/	30
								600	/	30

Model	NCK3-75-90							Voltage	Single-phase horsepower HP	Three-phase horsepower HP
	FLA			RES	LRA					
	240/277V	480V	600V		240/277V	480V	600V			
NCK3-75	75	75	75	90	450	375	300	110/120	5	/
								200/208	10	20
								240/277	15	25
								480	/	50
								600	/	50
NCK3-90	90	90	90	120	540	450	360	110/120	7.5	/
								200/208	15	25
								240/277	20 (88A FLA)	30
								480	/	60
								600	/	60 (62A FLA)

### 3.3 Coil specifications

#### ★ 1Pole+shunt, 1Pole+1 NC, auxiliary contact, 2Pole

Model		NCK3-25(20)	NCK3-30(32)	NCK3-40
Power consumption	In-rush (VA)	55	55	55
	Sealed (VA)	13	13	13
Operation range	Operation voltage	(85%~110%) Us		
	Drop-out voltage	(20%~65%) Us		
Power supply voltage Us		AC50/60Hz, 24V, 110V,120V, 220V,240V		

#### ★ 3Pole

Model		NCK3-20~40	NCK3-50~60	NCK3-75~90
Power consumption	In-rush (VA)	51	83	165
	Sealed (VA)	12	14	30
Operation range	Operation voltage	(85%~110%) Us		
	Drop-out voltage	(20%~65%) Us		
Power supply voltage Us		AC50/60Hz, 24V, 110V,120V, 220V,240V		

### 3.4 Specifications of auxiliary contact

#### ★ 1Pole+1 NC auxiliary contact

Ith (A)	Ui (V)	Capacity of auxiliary contact	
		AC (VA)	DC (W)
10	600	300	30

#### ★ 3Pole, lateral auxiliary contact

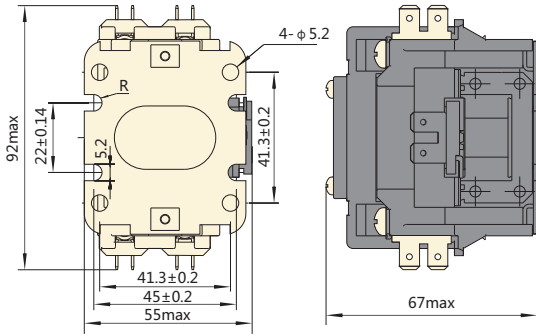
Utilization category	Rated insulation voltage (V)	Resistive amps (A)	Rated operational voltage (V)	Rated operational current (A)	Control capacity
AC-15	660V	10	380/400	0.95	360VA
DC-13	660V	10	220/230	0.15	33W

## 4. Terminal connection

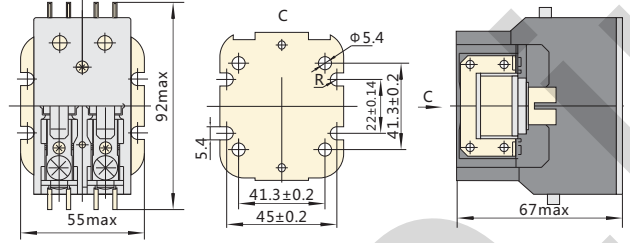
Model	Cabling(mm <sup>2</sup> ) (Cu)		Tightening torque (N·m)	
	Rigid wire with single core	Flexible stranded wire	Coil	Main circuit
NCK3-20	2.5~6	2.5~4	-	1.8~2
NCK3-25	2.5~6	2.5~4	-	1.8~2
NCK3-32	4~10	2.5~6	-	1.8~2
NCK3-40	4~10	2.5~6	-	1.8~2
NCK3-50	6~16	4~10	0.8~1.2	4~10
NCK3-60	6~16	4~10	0.8~1.2	4~10
NCK3-75	16~35	10~25	0.8~1.2	4~14
NCK3-90	25~35	16~25	0.8~1.2	4~14

5. Overall and mounting dimensions (mm)

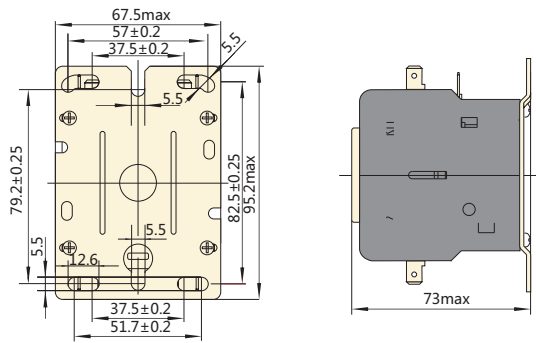
NCK3-20/1~40/1



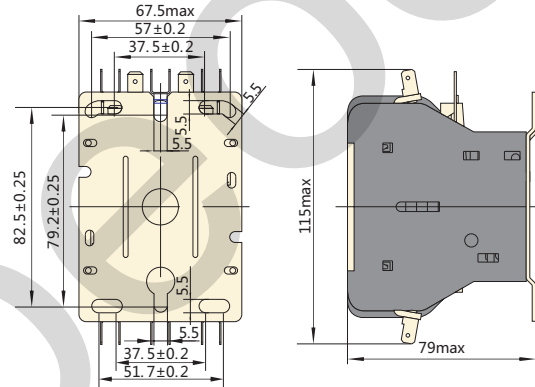
NCK3-20/2~40/2



NCK3-20~40



NCK3-50~60



NCK3-75~90

