



NL1 Residual Current Operated Circuit Breaker without over-current protection (Magnetic)

1. General

1.1 Function

- Control electric circuits.
- Protect people against indirect contacts and additional protection against direct contacts.
- Protect installations against fire hazard due to insulation faults.
- Residual current circuit breakers are used in housing, tertiary sector and industry.

1.2 Selection

Detectable wave form

AC class

Tripping is ensured for slowly increasing sinusoidal AC residual currents.

A class

Tripping is ensured for sinusoidal AC residual currents and for pulsed DC residual currents, whether applied suddenly or increasing slowly.

S, G/SI class

Tripping is ensured not only for sinusoidal AC residual currents but also for pulsed DC residual currents whether applied suddenly or increasing slowly. S, G/SI type with filters against spurious tripping caused by harmonics and transient surges. With the impact of 8/20us surge 3000A, this high immunity RCCB will still be in stable status.

Tripping sensitivity

- 10mA - precision instrument leakage protection and bathroom use.
- 30mA - additional protection against direct contact.
- 100mA - co-ordinated with the earth system according to the formula $I\Delta n < 50/R$, to provide protection against indirect contacts;
- 300mA/500mA - protection against indirect contacts, as well as fire hazard.

Tripping time

Instantaneous

It ensures instantaneous tripping (without time-delay).

Short time delay [G/SI]

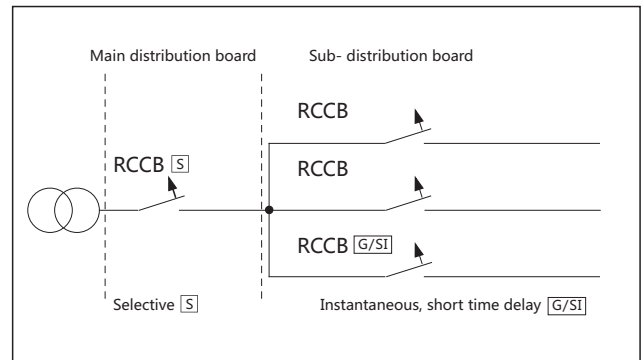
It ensures any tripping at least 10ms.

Selective [S]


It ensures total discrimination with a nonselective RCD placed downstream.

1.3 Approvals and certificates

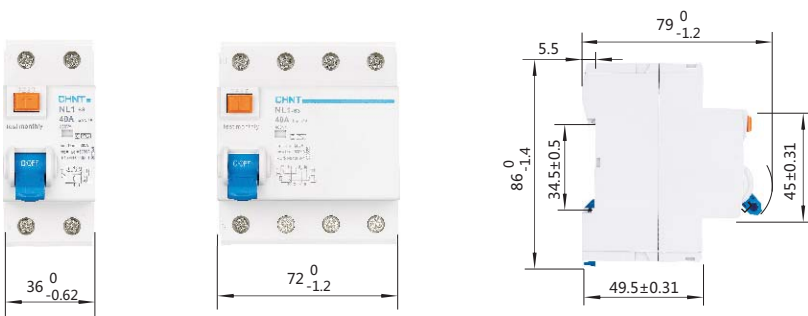
Detailed information, please refer to Certificates Table on the last page.



2. Technical data

	Standard	IEC/EN 61008-1
Electrical features	Type (wave form of the earth leakage sensed)	AC, A, AC-G, A-G, AC-S, A-S, A-SI
	Rated current In	A 25, 40, 63, 80, 100
	Poles	2P, 4P
	Rated voltage Ue	V 230/400~240/415
	Rated sensitivity I _{Δn}	A 0.01 for 2p 25A,0.03,0.1,0.3,0.5
	Insulation voltage Ui	V 500
	Rated residual making and breaking capacity I _{Δm}	A 500 (In=25A/40A), 800(In=80A/100A) 630 (In=63A)
	Short-circuit current Inc=I _{Δc}	A 6000/10000
	SCPD fuse	A  10000
	break time under I _{Δn}	S ≤0.1(Normal type), 10ms~300ms(G type). 150ms~500ms(S type)
	Rated frequency	Hz 50/60
	Rated impulse withstand voltage(1.2/50) U _{imp}	V 6000
	Dielectric test voltage at ind. Freq. for 1 min	kV 2.5
	Pollution degree	2
Mechanical features	Electrical life	2, 000
	Mechanical life	2, 000
	Fault current indicator	Yes
	Protection degree	IP20
	Ambient temperature (with daily average≤35°C)	°C -5...+40
	Storage temperature	°C -25...+70
Installation	Terminal connection type	Cable/U-type busbar/Pin-type busbar
	Terminal size top/bottom for cable	mm ² 25/35
		AWG 18-3/18-2
	Terminal size top/bottom for busbar	mm ² 10/16
		AWG 18-8/18-5
	Tightening torque	N-m 2.5
		In-lbs. 22
Mounting	On DIN rail EN 60715 (35mm) by means of fast clip device	
Connection	From top and bottom	

3. Overall and mounting dimensions (mm)



تهران - خیابان لاله زارنو - بالاتر از منوچهری - پاساژ البرزه ۲۰ - طبقه اول - واحد ۲۳۵

۰۲۱-۶۶۳۴۱۰۹۰-۹۲

۰۹۳۹۶۲۹۲۰۰۱

splus.ir/peoe_iran

aparat.com/peoe_iran

www.peoe.ir

t.me/peoe_iran

instagram.com/peoe_iran